



## The World's Fastest-Building Garage Cabinet System

*3 minute assembly. 500 lbs per cabinet. 100% Made in USA*



[www.klovo.com](http://www.klovo.com)

RETAIL PARTNER BROCHURE • 2026

# CONSTRUCTION SPECIFICATIONS:

## CONSTRUCTION:

- A Panels:** 5/8" moisture-resistant, scratch-resistant engineered wood panels, edged with 1 mm PVC.
- B Shelves, Doors & Drawer Fronts:** Flat panel, 3/4" engineered wood, edged with 1 mm PVC.
- C Interchangeability:** Our doors and drawer kits (3, 4 or 5) can be swapped while keeping the same box. Applicable to 24" wide Base/Tall SKUs.

## HARDWARE & DRAWER:

- D Drawer Glides:** Push-to-open ball-bearing drawer glides (no hardware needed).
- E Hinges:** Soft-close hinges, push-to-open hardware also provided for doors.

## SUPPORT & STABILITY:

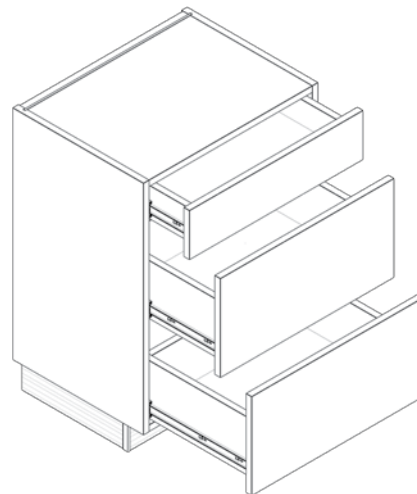
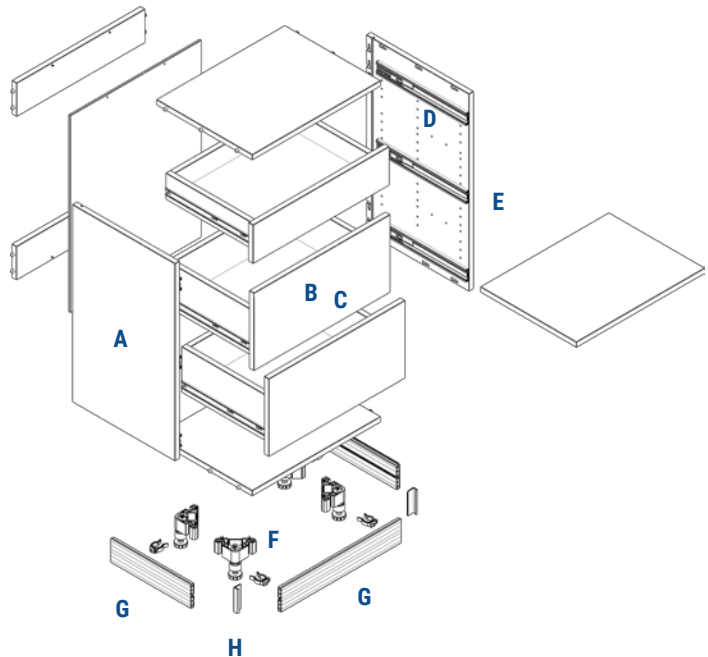
- F Folding Plastic Leg:** Waterproof plastic leg levelers 3 1/2" H to 6" H adjustment range.
- G Waterproof Toe Kick:** Clip-on system with extruded aluminum finish and made of polypropylene and a rubber gasket, 4" high.
- H 90° Connector Fitting & End Cap:** 4" H matching aluminum foil finish.

Each cabinet is engineered to support up to 500 lbs of weight.

## COLOR OPTION

The slab door and drawer design brings a touch of modern elegance to any space. The door and drawer is built with a 3/4" engineered wood core, this product ensures durability and longevity. Available in Perfect White.

Each kit ships flat with matching frontal & box and all required hardware.

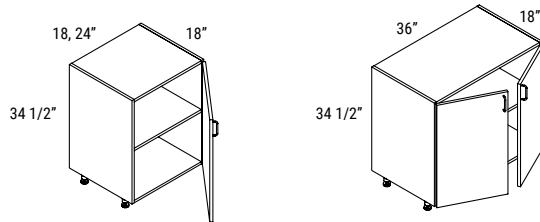


Perfect White

# Base Cabinets

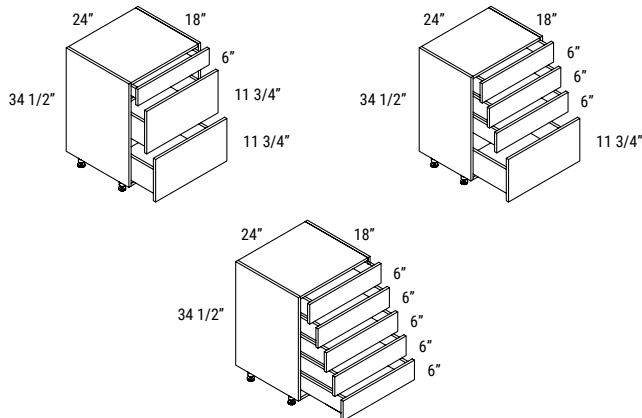
SKU	DESCRIPTION
B18-FH	Base 18" Wide with Full Height Door
B24-FH	Base 24" Wide with Full Height Door
B36-FH	Base 36" Wide with Full Height Door

- ▶ One adjustable full-depth shelf.
- ▶ All Bases 18" depth



# Drawer Base Cabinets

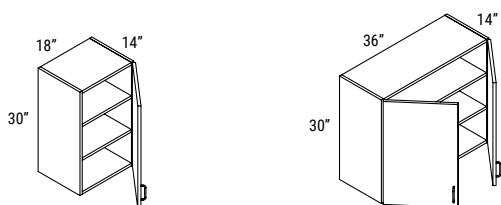
SKU	DESCRIPTION
DB324	Drawer Base with 3 Drawers 24" Wide
DB424	Drawer Base with 4 Drawers 24" Wide
DB524	Drawer Base with 5 Drawers 24" Wide



# Wall Cabinets

SKU	DESCRIPTION
W1830	Wall 18" Wide 30" High
W2430	Wall 24" Wide 30" High
W3630	Wall 36" Wide 30" High

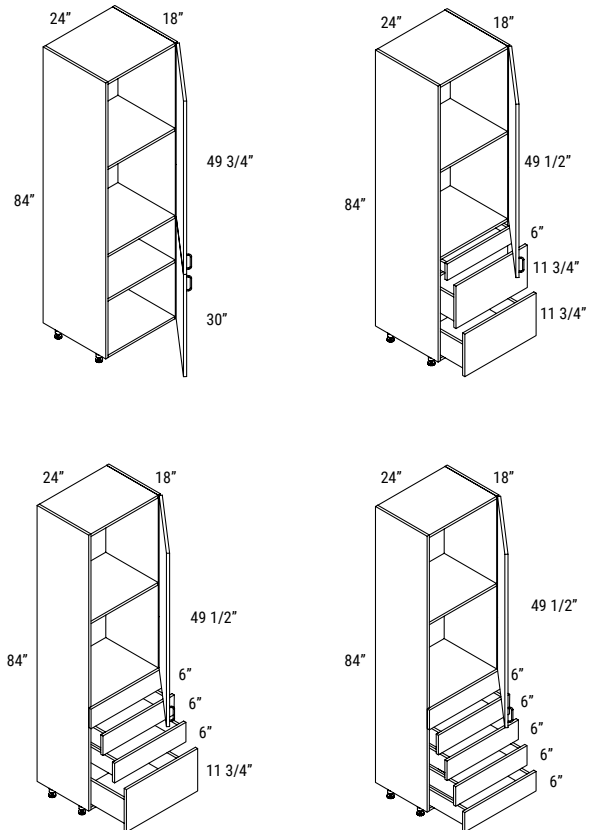
- ▶ Two adjustable full-depth Shelves
- ▶ 14" Depth



# Tall Cabinets

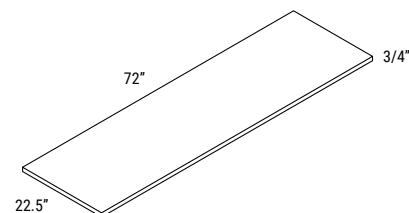
SKU	DESCRIPTION
UC2484	Utility 24" Wide x 84" High
UC2484DB3	Utility 24" Wide x 84" High with 3 drawers
UC2484DB4	Utility 24" Wide x 84" High with 4 drawers
UC2484DB5	Utility 24" Wide x 84" High with 5 drawers

- ▶ Two adjustable full-depth shelves, one fixed shelf.
- ▶ Bottom door aligns with 30" H Wall/Base Door.
- ▶ Reverse doors on site.
- ▶ Talls 18" depth



# Accessories

SKU	DESCRIPTION
TFLT	Laminate Top 72" Wide x 22.5" Deep x 3/4" Thick
KP10	Extruded Aluminum Polypropylene Kick Plate with Rubber Gasket, 10' Long with Corner Clips



# Built for the fastest-growing category in home improvement



Klovo builds RTA garage cabinet systems with moisture-resistant, scratch-resistant laminate panels – the box assembles in 2-3 minutes with our patent-pending GlideLock connector. No camlocks, no callbacks. Holds 500 lbs per cabinet. Made in America by a team with 20+ years in cabinet manufacturing.

## KLOVO

-  2 Ravinia Drive NE,  
Suite 1600 Atlanta, GA 30346
-  404-983-4890
-  sales@klovo.com
-  www.klovo.com



**Experts with 20+ Years  
in Cabinets**



**Ships  
Nationwide**



**100%  
Made in the USA**

